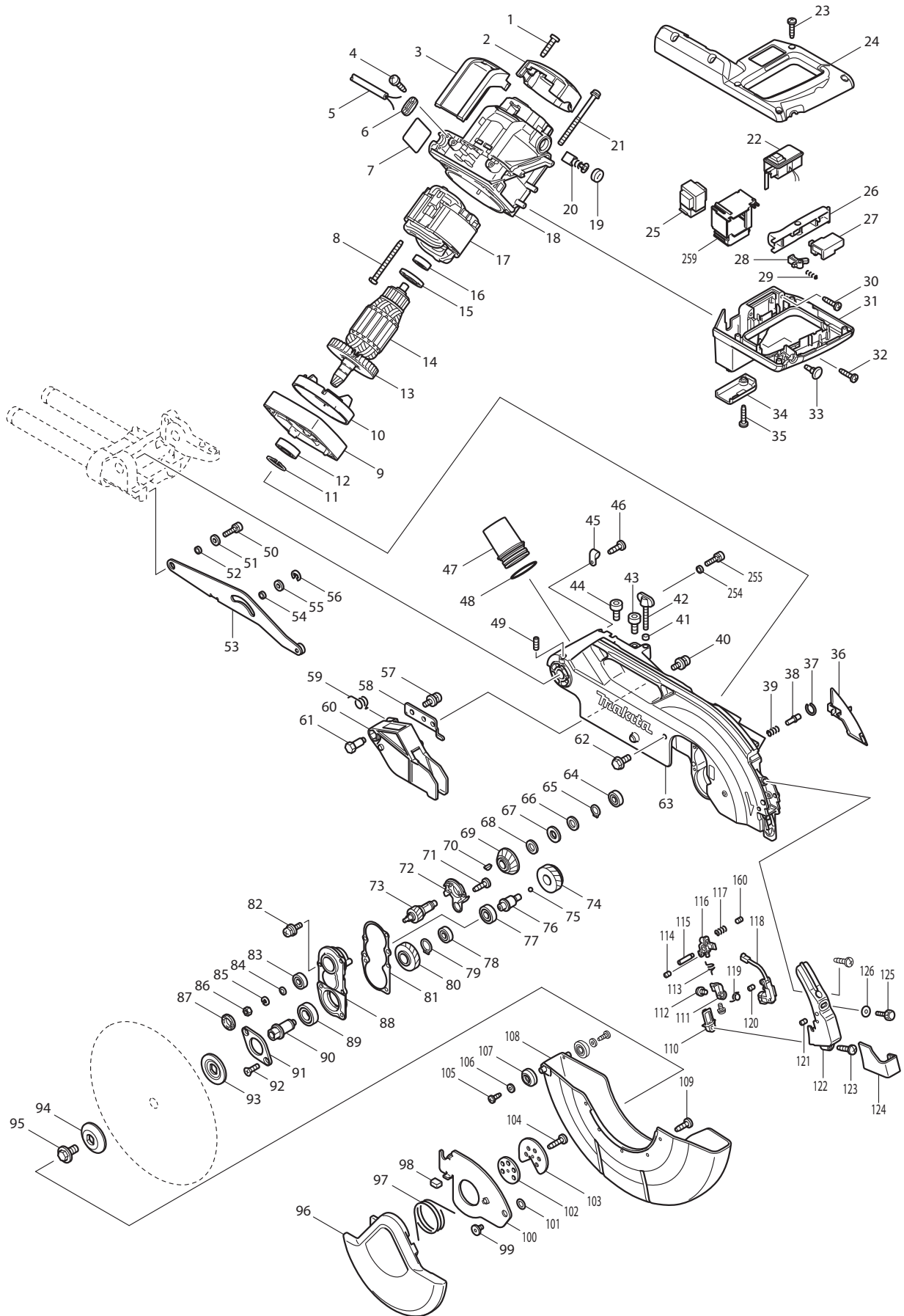


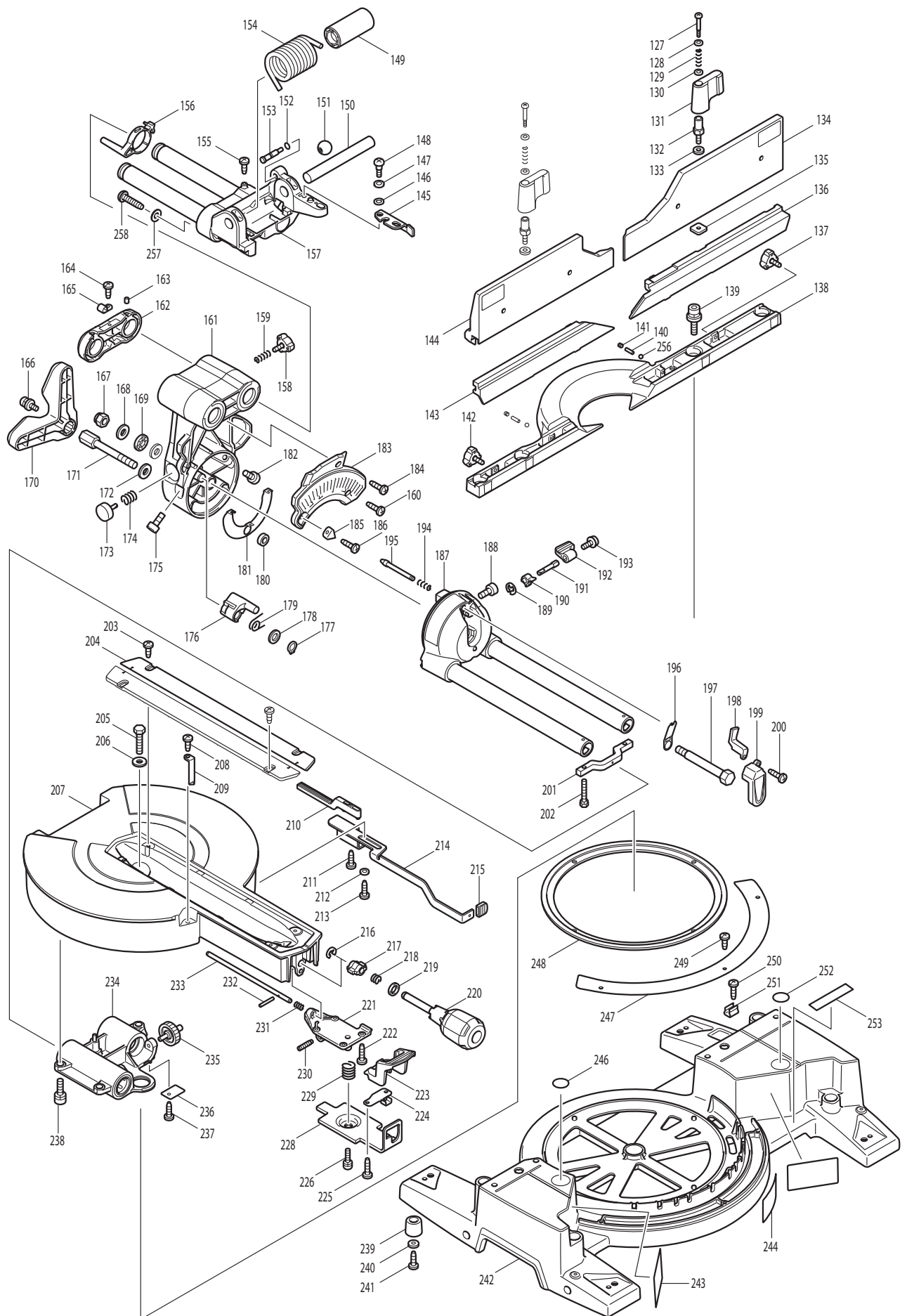


12 - 2010

LS1016L

# 10" SLIDE COMPOUND SAW W/LASER





Item No	Type	Ref	Part No	Description	Qty	Unit
1			265995-6	TAPPING SCREW 4X18	2	PC.
2			450999-3	REAR COVER	1	PC.
3			631863-9	CONTROLLER	1	PC.
4			265995-6	TAPPING SCREW 4X18	2	PC.
5			664463-0	CORD W/PLUG 2P-14-2.5M, SJ	1	PC.
6			687052-4	STRAIN RELIEF	1	PC.
7			866470-1	NAME PLATE F/LS1016L	1	PC.
8			266095-5	TAPPING SCREW 5X55	2	PC.
9			318399-2	MOTOR BRACKET	1	PC.
10			451001-5	BAFFLE PLATE	1	PC.
11			961057-5	RETAINING RING S-17	1	PC.
12	1		211275-8	BALL BEARING 6003DDW	1	PC.
	2		210301-0	BALL BEARING 6003DDW	1	PC.
13			240001-8	FAN 80	1	PC.
14			517821-8	ARMATURE ASSEMBLY 115V	1	PC.
		INC.		Item No. 13, 15, 16	1	PC.
15			681642-5	INSULATION WASHER	1	PC.
16			211062-5	BALL BEARING 6000ZZ	1	PC.
17			596346-5	FIELD ASSEMBLY 115V	1	PC.
		INC.	654020-2	RING TERMINAL	2	PC.
		INC.	654553-7	CONNECTOR 34137	2	PC.
18			158958-8	MOTOR HOUSING COMPLETE	1	PC.
		INC.	643660-1	BRUSH HOLDER 6.5-13.5	2	PC.
19			643650-4	BRUSH HOLDER CAP 6.5-13.5	2	PC.
20	1		181047-4	CARBON BRUSH CB-154 2PCS/SET W/O ORIGIN - N/L/A	1	SET
	2		194986-9	CARBON BRUSH CB-154, 2PCS/SET W/ ORIGIN	1	SET
21			911948-0	PAN HEAD SCREW M6X80 WITH WR	4	PC.
22			638652-3	LASER SWITCH UNIT	1	PC.
23			265995-6	TAPPING SCREW 4X18	6	PC.
24			158981-3	HANDLE COVER COMPLETE	1	PC.
		INC.	808641-4	SWITCH INDICATION LABEL	1	PC.
25			631907-5	POWER SUPPLY CIRCUIT	1	PC.
26			451003-1	SWITCH LEVER	1	PC.
27			650618-3	SWITCH TG72B-1	1	PC.
28			416356-5	LOCK-OFF LEVER	1	PC.
29			231026-3	COMPRESSION SPRING 4	1	PC.
30			265995-6	TAPPING SCREW 4X18	2	PC.
31			140047-3	HANDLE COMPLETE	1	PC.
		INC.	810484-2	CAUTION LABEL	1	PC.
32			265995-6	TAPPING SCREW 4X18	2	PC.
33			451037-4	SWITCH BUTTON	1	PC.
34			451000-7	LEAD COVER HOLDER	1	PC.
35			265995-6	TAPPING SCREW 4X18	1	PC.
36			451004-9	LEAD COVER	1	PC.
37			231928-3	RING SPRING 8	1	PC.
38			256633-1	PIN 6	1	PC.
39			231240-1	COMPRESSION SPRING 7	1	PC.
40			911113-1	PAN HEAD SCREW M4X10	2	PC.
41			262001-8	URETHANE RING 5	1	PC.
42			265717-4	SCREW M6X43	1	PC.
43			266488-6	HEX SOCKET HEAD BOLT M8X20	1	PC.
44			922332-4	* HEX. SOCKET HEAD BOLT M6X20	1	PC.
45			687095-6	STRAIN RELIEF	1	PC.
46			266026-4	TAPPING SCREW BIND CT 4X12	1	PC.

Item No	Type	Ref	Part No	Description	Qty	Unit
47			419277-0	DUST NOZZLE	1	PC.
48			213460-9	O RING 35	1	PC.
49			266321-2	H.S.SET SCREW(FLAT POINT)M6X16	1	PC.
50			922331-6	HEX. SOCKET HEAD BOLT M6X20	1	PC.
51			253804-1	FLAT WASHER 6	1	PC.
52			257163-5	RING 6	1	PC.
53			158960-1	LINK PLATE COMPLETE	1	PC.
		INC.	210033-9	BALL BEARING 696ZZ (not in part list, but confirmed with MJ)	1	PC.
54			257163-5	RING 6	1	PC.
55			253804-1	FLAT WASHER 6	1	PC.
56			961018-5	STOP RING E-5	1	PC.
57			911113-1	PAN HEAD SCREW M4X10	1	PC.
58			346050-4	GUARD HOLDER	1	PC.
59			231675-6	TORSION SPRING 11	1	PC.
60	1		451006-5	GUARD - N/L/A	1	PC.
	2		453634-2	GUARD	1	PC.
61			325645-6	GUARD SHAFT	1	PC.
62			265324-3	HEX. FLANGE HEAD BOLT M8X12	1	PC.
63			140045-7	* BLADE CASE COMPLETE	1	PC.
		INC.	263005-3	* RUBBER PIN 6	3	PC.
		INC.	810106-4	* LASER BEAM CAUTION LABEL	1	PC.
		INC.	810124-2	* LASER BEAM CAUTION LABEL	1	PC.
64			210005-4	BALL BEARING 608DDW	1	PC.
65			961052-5	RETAINING RING S-12	1	PC.
66			253744-3	FLAT WASHER 12	1	PC.
67			261104-5	RUBBER WASHER 12	1	PC.
68			253744-3	FLAT WASHER 12	1	PC.
69			227550-2	SPIRAL BEVEL GEAR 32	1	PC.
70			254001-2	WOODRUFF KEY 4	1	PC.
71			266026-4	TAPPING SCREW BIND CT 4X12	2	PC.
72			451002-3	GREASE HOLDER	1	PC.
73			227701-7	HELICAL GEAR 14	1	PC.
74			227702-5	HERICAL GEAR 27	1	PC.
75			216024-8	STEEL BALL 4	1	PC.
76			325643-0	GEAR SHAFT	1	PC.
77			211062-5	BALL BEARING 6000ZZ	1	PC.
78			210005-4	BALL BEARING 608DDW	1	PC.
79			961055-9	RETAINING RING S-15	1	PC.
80			227703-3	HERICAL GEAR 28	1	PC.
81			442147-8	GASKET	1	PC.
82			911223-4	PAN HEAD SCREW M5X16	3	PC.
83			210005-4	BALL BEARING 608DDW	1	PC.
84			267010-2	FLAT WASHER 5	1	PC.
85			942101-7	SPRING WASHER 5	1	PC.
86			931202-6	HEX. NUT M5	1	PC.
87			285847-5	BEARING RETAINER 14-23	1	PC.
88			158957-0	BEARING BOX COMPLETE	1	PC.
		INC.	263002-9	RUBBER PIN 4	1	PC.
89			211236-8	BALL BEARING 6002DDW	1	PC.
90			325644-8	SPINDLE	1	PC.
91			285732-2	BEARING RETAINER 51	1	PC.
92			265034-2	+ COUNTERSUNK HEAD SCREW M5X16	2	PC.
93			224428-0	INNER FLANGE 46	1	PC.
94			224429-8	OUTER FLANGE 46	1	PC.

Item No	Type	Ref	Part No	Description	Qty	Unit
95			265405-3	HEX. FRANGE HEAD BOLT M10X20	1	PC.
96			158959-6	* SAFETY COVER A COMPLETE	1	PC.
97			231634-0	TORSION SPRING 45	1	PC.
98			424190-9	CUSHION	1	PC.
99			265985-9	HEX.SOCKET HEAD BOLT M6	1	PC.
100			346048-1	CENTER COVER	1	PC.
101			253932-2	WAVE WASHER 10	1	PC.
102			344539-6	CENTER WASHER	1	PC.
103			346047-3	CENTER PLATE	1	PC.
104			266034-5	TAPPING SCREW CT 4X16	1	PC.
105			266020-6	TAPPING SCREW 4X12	2	PC.
106			941051-3	FLAT WASHER 4	2	PC.
107			424193-3	ROLLER	2	PC.
108	2		451754-6	* SAFETY COVER B	1	PC.
109			266026-4	TAPPING SCREW BIND CT 4X12	3	PC.
110			418104-8	LENS	1	PC.
111			419378-4	BLOCK B	1	PC.
112			911003-8	PAN HEAD SCREW M3X6	2	PC.
113			231664-1	TORSION SPRING 9	1	PC.
114			266318-1	H.S.SET SCREW(FLAT POINT)M4X6	1	PC.
115			266306-8	SHOULDER SCREW M5	1	PC.
116			419379-2	BLOCK C	1	PC.
117			233471-8	COMPRESSION SPRING 6	1	PC.
118			638651-5	LASER CIRCUIT COMPLETE	1	PC.
119			231664-1	TORSION SPRING 9	1	PC.
120			266318-1	H.S.SET SCREW(FLAT POINT)M4X6	1	PC.
121			266229-0	H.S.SET SCREW(CUP POINT)M5X8	2	PC.
122			451014-6	LASER COVER	1	PC.
123			266034-5	TAPPING SCREW CT 4X16	2	PC.
124			451038-2	PROTECTOR	1	PC.
125			265753-0	THUMB SCREW M5X24	1	PC.
126			253807-5	FLAT WASHER 5	1	PC.
127			265026-1	+ PAN HEAD SCREW M4	2	PC.
128			941102-2	FLAT WASHER 5	2	PC.
129			233267-7	COMPRESSION SPRING 7	2	PC.
130			941102-2	FLAT WASHER 5	2	PC.
131			272261-4	LEVER 45	2	PC.
132			325651-1	JOINT	2	PC.
133			253804-1	FLAT WASHER 6	2	PC.
134			140051-2	UPPER FENCE R COMPLETE	1	PC.
		INC.	810482-6	CAUTION LABEL	1	PC.
135			346058-8	GUIDE PLATE	2	PC.
136			318596-0	LOWER FENCE R	1	PC.
137			265783-1	THUMB SCREW M6X18	1	PC.
138			318411-8	GUIDE FENCE	1	PC.
139			922443-5	H.S.H.BOLT M8X25 WITH WR	4	PC.
140			256226-4	PIN 4	2	PC.
141			266264-8	H.S.SET SCREW(FLAT POINT)M5X6	2	PC.
142			265783-1	THUMB SCREW M6X18	1	PC.
143			318595-2	LOWER FENCE L	1	PC.
144			140050-4	UPPER FENCE L COMPLETE	1	PC.
		INC.	810482-6	CAUTION LABEL	1	PC.
145			346049-9	STOPPER ARM	1	PC.
146			253948-7	WAVE WASHER 8	1	PC.

Item No	Type	Ref	Part No	Description	Qty	Unit
147			253835-0	FLAT WASHER 8	1	PC.
148			251267-5	+ PAN HEAD SCREW M6	1	PC.
149			451036-6	SLEEVE 17	1	PC.
150			323740-6	ROD 16	1	PC.
151			271601-3	KNOB 20	1	PC.
152			213021-5	O RING 5	1	PC.
153			324183-5	STOPPER PIN	1	PC.
154			233537-4	TORSION SPRING 35	1	PC.
155			266026-4	TAPPING SCREW BIND CT 4X12	1	PC.
156			158962-7	STOPPER LEVER COMPETE	1	PC.
		INC.	263002-9	RUBBER PIN 4	1	PC.
157			158961-9	* FRONT ARM COMPLETE	1	PC.
158			265783-1	THUMB SCREW M6X18	1	PC.
159			231240-1	COMPRESSION SPRING 7	1	PC.
160			266034-5	TAPPING SCREW CT 4X16	1	PC.
161			158963-5	ARM COMPLETE	1	PC.
		INC.	262077-5	FELT RING 25	4	PC.
		INC.	263005-3	RUBBER PIN 6	1	PC.
		INC.	344638-4	CAP 35	3	PC.
162			318403-7	HOLDER	1	PC.
163			266208-8	* H.S.SET SCREW(CUP POINT)M6X8	2	PC.
164			266026-4	TAPPING SCREW BIND CT 4X12	1	PC.
165			687095-6	STRAIN RELIEF	1	PC.
166			911113-1	PAN HEAD SCREW M4X10	1	PC.
167			252130-5	HEX. LOCK NUT M10-17	1	PC.
168			253024-7	FLAT WASHER 10	2	PC.
169			216413-7	THRUST NEEDLE CAGE 1024	1	PC.
170			451019-6	LEVER 105	1	PC.
171			265589-7	HEX BOLT M10	1	PC.
172			253024-7	FLAT WASHER 10	1	PC.
173			415208-7	RELEASE BUTTON	1	PC.
174			233031-6	COMPRESSION SPRING 12	1	PC.
175			266488-6	HEX SOCKET HEAD BOLT M8X20	1	PC.
176			318405-3	STOPPER	1	PC.
177			961052-5	RETAINING RING S-12	1	PC.
178			253744-3	FLAT WASHER 12	1	PC.
179			231646-3	TORSION SPRING 14	1	PC.
180	2		262158-5	RUBBER RING 9	1	PC.
181			346071-6	PLATE	1	PC.
182			266488-6	HEX SOCKET HEAD BOLT M8X20	1	PC.
183			451008-1	ARM COVER	1	PC.
184			266034-5	TAPPING SCREW CT 4X16	1	PC.
185			343678-9	POINTER	1	PC.
186			266034-5	TAPPING SCREW CT 4X16	1	PC.
187			158964-3	ARM HOLDER COMPLETE	1	PC.
		INC.	263005-3	RUBBER PIN 6	1	PC.
		INC.	816927-2	BEVEL SCALE LABEL	1	PC.
188			266488-6	HEX SOCKET HEAD BOLT M8X20	1	PC.
189			961011-9	STOP RING E-4	1	PC.
190			451044-7	CAM	1	PC.
191			325656-1	ROD 6	1	PC.
192			272262-2	LEVER 22	1	PC.
193			911113-1	PAN HEAD SCREW M4X10	1	PC.
194			234122-6	COMPRESSION SPRING 6	1	PC.

Item No	Type	Ref	Part No	Description	Qty	Unit
195	1		325655-3	LOCK PIN 8 - N/L/A	1	PC.
	2		325865-2	LOCK PIN 8	1	PC.
196			232250-1	LEAF SPRING	1	PC.
197			325646-4	CENTER SHAFT	1	PC.
198			451039-0	POSITION PLATE	1	PC.
199			451070-6	ARM HOLDER COVER	1	PC.
200			266034-5	TAPPING SCREW CT 4X16	1	PC.
201			158967-7	SQUARE ROD COMPLETE	1	PC.
		INC.	263005-3	RUBBER PIN 6	1	PC.
202			925251-3	HEX.BOLT M5X30	2	PC.
203			266026-4	TAPPING SCREW BIND CT 4X12	4	PC.
204			451013-8	KURF BOARD	2	PC.
205			265585-5	HEX BOLT M8X45	1	PC.
206			253762-1	FLAT WASHER 8	1	PC.
207			158966-9	TURN BASE COMPLETE	1	PC.
		INC.	816930-3	INDICATION LABEL	1	PC.
		INC.		Item No. 244	1	PC.
208			266026-4	TAPPING SCREW BIND CT 4X12	1	PC.
209			451009-9	INDICATION PLATE	1	PC.
210			451011-2	RACK BLOCK	1	PC.
211			266385-6	TAPPING SCREW 4X14	1	PC.
212			941051-3	FLAT WASHER 4	1	PC.
213			266026-4	TAPPING SCREW BIND CT 4X12	1	PC.
214			346052-0	SLIDE LOCK PLATE	1	PC.
215			286275-7	CAP	1	PC.
216			961013-5	STOP RING E-7	1	PC.
217			313165-2	CAM	1	PC.
218			231131-6	COMPRESSION SPRING 11	1	PC.
219			267047-9	FLAT WASHER 10	1	PC.
220			273666-1	GRIP 50	1	PC.
221			318410-0	PIN HOLDER	1	PC.
222			266034-5	TAPPING SCREW CT 4X16	4	PC.
223			451010-4	LOCK LEVER	1	PC.
224			345272-3	LOCK LEVER PLATE	1	PC.
225			266034-5	TAPPING SCREW CT 4X16	2	PC.
226			266505-2	H.S. BINDING HEAD SCREW M6X14	1	PC.
228			346051-2	MITER LOCK PLATE	1	PC.
229			234104-8	COMPRESSION SPRING 13	1	PC.
230			266306-8	SHOULDER SCREW M5	1	PC.
231			231325-3	COMPRESSION SPRING 6	1	PC.
232			256158-5	PIN 3	1	PC.
233			325649-8	LOCK PIN 6	1	PC.
234			158968-5	LINEAR BEARING BOX COMPLETE	1	PC.
235			451018-8	SPUR GEAR 43	1	PC.
236			232249-6	LEAF SPRING	1	PC.
237			266026-4	TAPPING SCREW BIND CT 4X12	1	PC.
238			922441-9	HEX. SOCKET HEAD BOLT M8X25	3	PC.
239			421845-7	FOOT	4	PC.
240			267195-4	FLAT WASHER 4	4	PC.
241			266026-4	TAPPING SCREW BIND CT 4X12	4	PC.
242			140052-0	* BASE COMPLETE	1	PC.
		INC.		* Item No. 243, 246, 252, 253	1	PC.
243			810493-1	CAUTION LABEL	1	PC.
244			816787-2	INDICATION LABEL	1	PC.

Item No	Type	Ref	Part No	Description	Qty	Unit
246			817283-3	CAUTION LABEL	1	PC.
247			816920-6	MITER SCALE PLATE	1	PC.
248			451012-0	SLIDE PLATE	1	PC.
249			266026-4	TAPPING SCREW BIND CT 4X12	3	PC.
250			266034-5	TAPPING SCREW CT 4X16	1	PC.
251			232075-3	LEAF SPRING	1	PC.
252			817283-3	CAUTION LABEL	1	PC.
253			810488-4	CAUTION LABEL	1	PC.
254			257785-1	SLEEVE 6	1	PC.
255			922226-3	HEX. SOCKET HEAD BOLT M5X18	1	PC.
256			216024-8	STEEL BALL 4	2	PC.
257			253874-0	FLAT WASHER 4	1	PC.
258			266042-6	TAPPING SCREW BIND CT 4X20	1	PC.
259			451412-4	CASE	1	PC.
272			942151-2	* SPRING WASHER 6 (Added)	1	PC.
275			253313-0	* THIN WASHER 14 (Added)	1	PC.
276			266318-1	* H.S.SET SCREW (FLAT POINT) M4X6 (Added)	1	PC.
300			654558-7	INSULATED CONNECTOR	3	PC.
C01			849978-0	CARTON	1	PC.

### **ACCESSORIES**

- See Catalogue or visit [www.makita.ca](http://www.makita.ca) for other optional accessories -

A01			122852-0	DUST BAG ASSEMBLY	1	PC.
	INC.		410602-8	FASTENER	1	PC.
A02			122854-6	VERTICAL VISE ASSEMBLY	1	PC.
	INC.		140037-6	VESE ARM A COMPLETE	1	PC.
	INC.		140038-4	WISE ARM B COMPLETE	1	PC.
	INC.		168522-7	SET PLATE	1	PC.
	INC.		251370-2	+ PAN HEAD SCREW M5	1	PC.
	INC.		251887-5	SCREW M6X10	1	PC.
	INC.		253744-3	FLAT WASHER 12	1	PC.
	INC.		253804-1	FLAT WASHER 6	1	PC.
	INC.		266026-4	TAPPING SCREW BIND CT 4X12	1	PC.
	INC.		271328-5	KNOB 40	1	PC.
	INC.		313163-6	RELEASE NUT R	1	PC.
	INC.		313164-4	RELEASE NUT L	1	PC.
	INC.		343651-9	WISE PLATE	1	PC.
	INC.		346053-8	NUT HOLDER	1	PC.
	INC.		346054-6	PROTECTOR	2	PC.
	INC.		961052-5	RETAINING RING S-12	1	PC.
A03			762001-3	TRIANGULAR RULE	1	PC.
A05			195240-4	HOLDER 200 SET	1	PC.
	INC.		325673-1	HOLDER 200	2	PC.
	INC.		265786-5	SCREW M5X16 (OLD# 251889-1 - N/L/A)	2	PC.
A06			782232-8	BOX WRENCH 13	1	PC.
A07			783208-8	HEX. WRENCH 2.5	1	PC.
A08			A-93675	10" C.T. SAW BLADE 60T(5/8") - PKG	1	PC.
			A-94764	10" ATAF MITRE SAW BLADE 60T (5/8")	1	PC.
			A-93550	10" C.T. SAW BLADE 70T(5/8")	1	PC.
A09			122470-4	HORIZONTAL VISE ASS'Y	1	PC.
	INC.		271297-0	KNOB 45	1	PC.
	INC.		344099-8	GUARD PLATE	1	PC.
A10			194943-7	SLIDE MITRE SAW STAND (See Parts breakdown 194943-7)	1	PC.
A11			192669-5	CROWN MOLDING STOPPER SET	1	SET
A12			194061-1	BENCHTOP MITER SAW STAND (See Partsbreakdown 194061-1)	1	PC.



Item No	Type	Ref	Part No	Description	Qty	Unit
A13			416368-8	ELBOW	1	PC.
A14			256812-1	ROD	1	PC.
A15			192671-8	EXTENSION ROD HOLDER	1	PC.
A16			122446-1	FOOT ASSY	1	PC.
A17			122472-0	SET PLATE	1	PC.
A18			194175-6	DUST BOX (See Parts breakdown 194175-6)	1	PC.
A19			WST05	SLIDE MITRE SAW STAND (See Parts breakdown WST05)	1	PC.

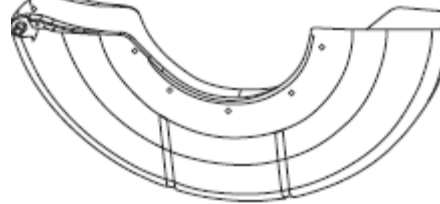
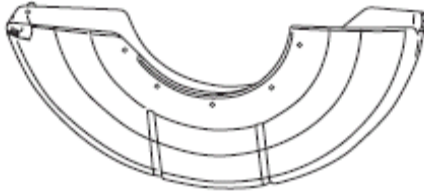
**SERVICE CHANGES**

**1. Changes on Safety Cover**

Item No.	Description	Type 1	Type 2
108	Safety Cover B	451005-7 (N/L/A)	451754-6

Type 1

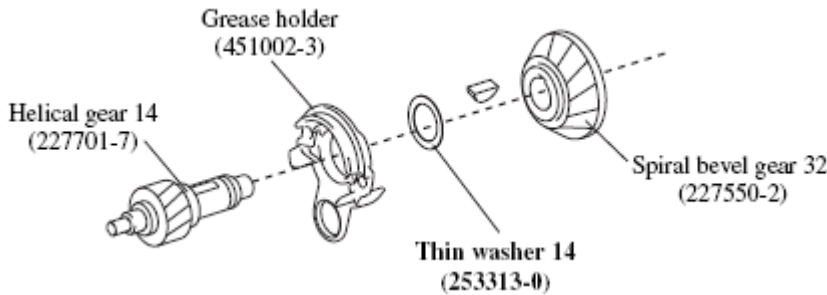
Type 2



	Type 1	Type 2
Miter Angle	Bevel Angle 0°	Bevel Angle 0°
52°	25mm x 187mm 91mm x 91mm	71mm x 187mm 91mm x 171mm
60°	25mm x 152mm 91mm x 76mm	71mm x 152mm 91mm x 139mm

**2. Addition of Thin Washer**

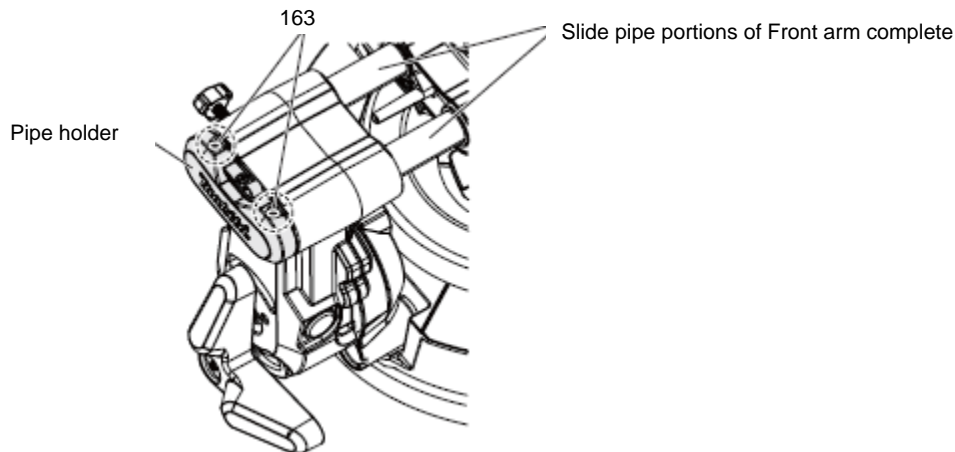
Item No.	Description	Type 1	Type 2
275	Thin Washer 14	-----	253313-0



**3. Fastening torque for H.S.Set Screw Set M6X8**

Item No.	Description	Part No.	Torque (Type1)	Torque (Type2)
163	H.S.SET SCREW	266208-8	3.1-6.3N.m (31-63kgf.cm)	4-6N.m (40-60kgf.cm)

When Slide pipe portions of the current Front arm complete are not slid smoothly due to their shifts by external impacts, loosen the two M6x8 H.S. set screws and remove Pipe holder, then assemble them again by tightening the screws to the fastening torque 4 up to 6 N.m.



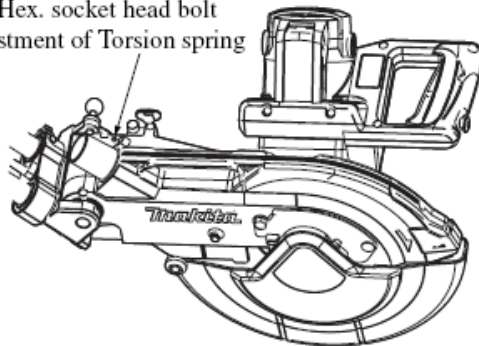
**SERVICE CHANGES**

**4. Change on H.S.H bolt and addition of spring washer**

Item No.	Description	Type 1	Type 2
44	H.S.H Bolt	922331-6	922332-4
272	Spring washer	-----	942151-2

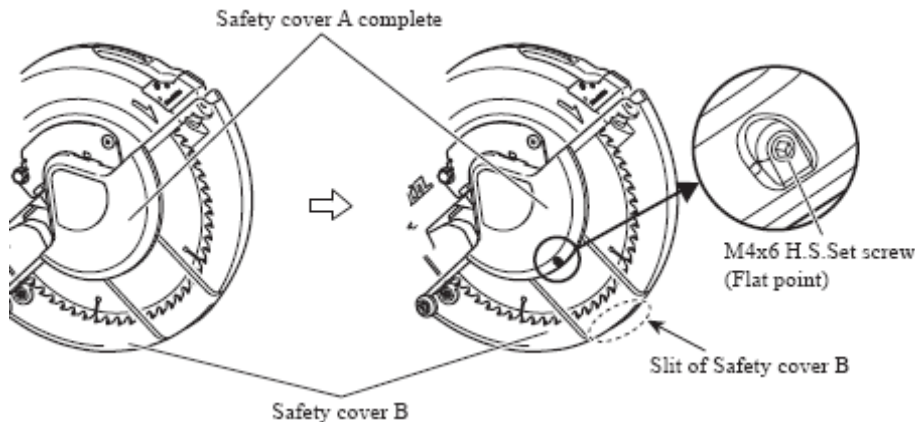
Above parts are interchangeable as a set.

M6x20 Hex. socket head bolt  
for adjustment of Torsion spring



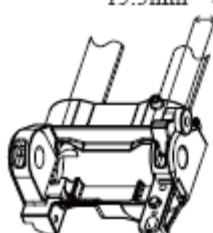
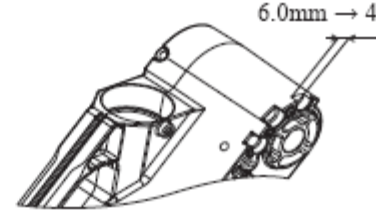
**5. Safety Cover A complete and addition of H.S.S. Screw (Flat point)**

Item No.	Description	Type 1	Type 2
96	Safety Cover A Com.		158959-6
276	H.S.S Screw	-----	266318-1



**6. Front Arm Complete and Blade Case Complete (T/# 91108)**

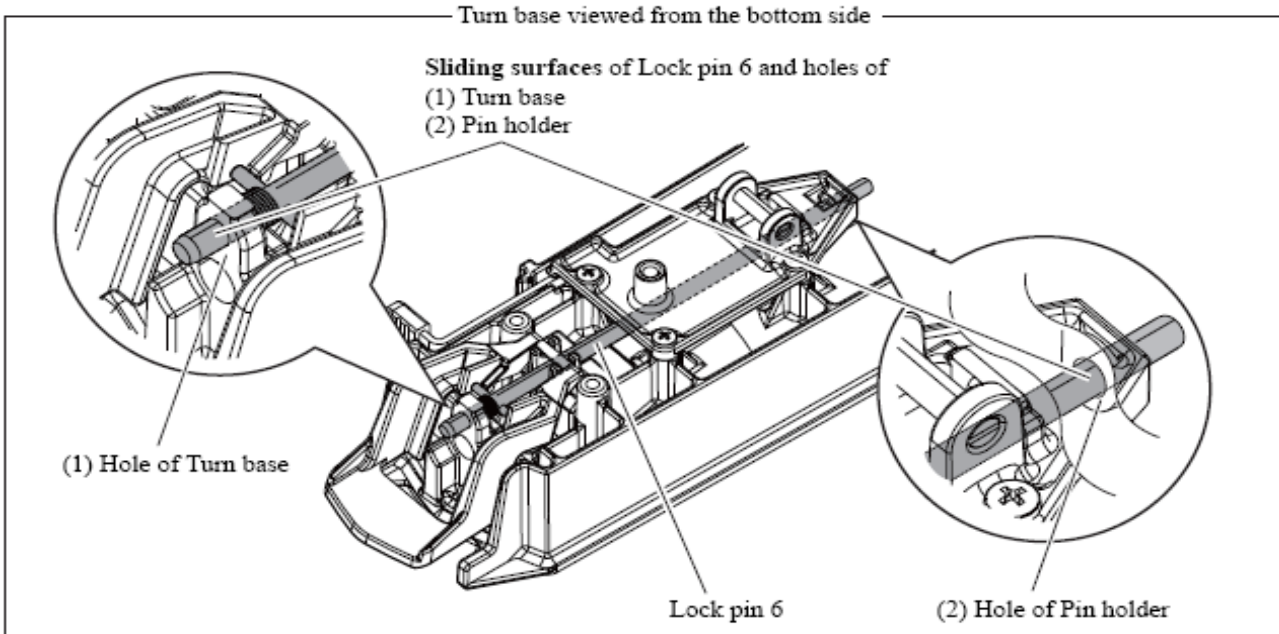
Item No.	Description	Type 1	Type 2
157	Front Arm Com.		158961-9
63	Blade Case Com.		140045-7

<b>Front arm complete</b>	<b>Blade case complete</b>
The length of the portion to hold Stopper pin has been changed from 15.5mm to 21.5mm.	The depth of the portion to insert Stopper pin at lower dead point has been changed from 6.0mm to 4.0mm.
15.5mm → 21.5mm 	6.0mm → 4.0mm 

**SERVICE CHANGES**

7. Makita grease SG No.0 has been added to the sliding surface as drawn below

(T/I# 90978)

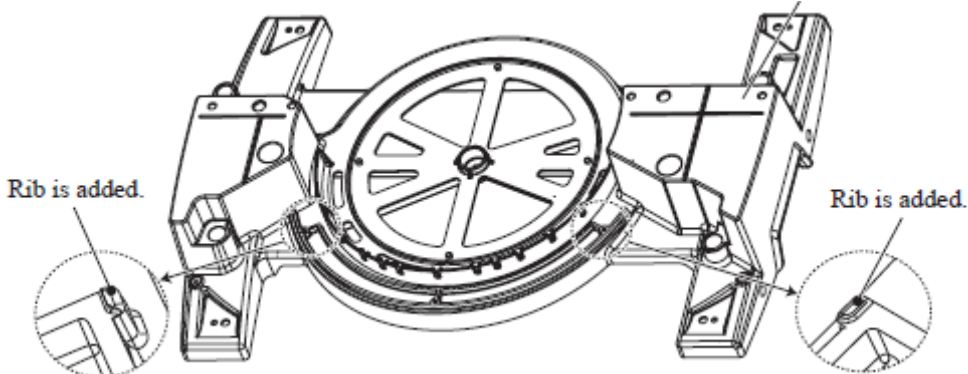


**6. Changes on Base Complete**

(T/I# 96272)

Item No.	Description	Type 1	Type 2
242	Base Complete		140052-0

Type 2: Ribs have been added to prevent the removal of Mitre scale from the proper position.



Note in assembly: Fasten Tapping screws while holding the edge of Mitre scale plate to the ribs as follows.

